

Specifications

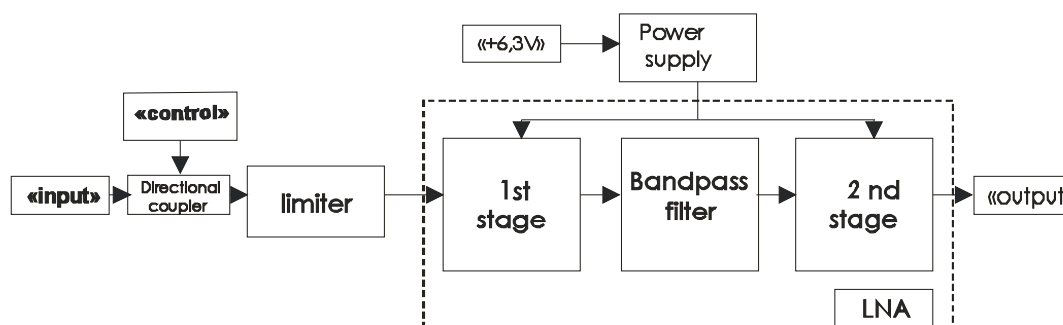
- Working frequency range 3,2 – 3,4 GHz
- Gain 29 dB
- Noise figure 3,5 dB
- Gain flatness 0,8 dB
- P1 dB output 13 dBm
- Input/output VSWR max 1,5/1,5
- Power supply 11,4 – 12,6 V 80 mA



The amplifier with limiter ELU-3-35 is a complete functional unit that provides amplification and filtering of the input signal, protection of input circuits against high level microwave power as well as possibility to feed control signal to the input via directional coupler. It is made in a sealed enclosure. It has wide dynamic range, low noise figure and allows high power input radio pulses. It has a tight sample-to-sample variation of amplitude-frequency and phase-frequency characteristics.

Maximum allowable operating conditions

Parameter, unit of measurement	Value		
	min.	typical	max.
Working frequency range, MHz	3200	—	3400
Supply voltage (positive), V	11,5	12,0	12,5
Supply voltage ripple, %	—	—	5
Maximum allowable input pulse power at pulse width 10 μsec and repetition period 0,25 μsec, W	—	—	1000



Main specifications

Parameter, unit of measurement	Value		
	min.	typical	max.
Power gain over working frequency range in "INPUT - OUTPUT" channel, dB	27,0	29	—
Power gain flatness over working frequency range in "INPUT - OUTPUT" channel, dB	—	0,8	1,0
Noise figure over working frequency range in "INPUT - OUTPUT" channel, dB	—	3,5	4,0
VSWR input, control input and output over working frequency range	—	1,5	1,7
Power gain decrease in "INPUT - OUTPUT" channel at 3100 MHz frequency, dB	20,0	—	—
Power gain decrease in "INPUT - OUTPUT" channel at 3500 MHz frequency, dB	20,0	—	—
Power gain decrease in "INPUT - OUTPUT" channel at frequencies below 2000 MHz, dB	50,0	—	—
Difference of power gain over working frequency range during signal passage through "INPUT - OUTPUT" channel and "CONTROL INPUT - OUTPUT" channel, dB	25,8	26,0	26,2
Power gain variation over working frequency range in a batch (in "INPUT - OUTPUT" channel), dB	—	0,8	1,0
Sample-to-sample variation of phase-frequency characteristic in a batch (in "INPUT - OUTPUT" channel), degree	—	±3,5	±5
P1 dB output, dBm	10	13	—
Current consumption, mA	—	—	80

Outline drawing

