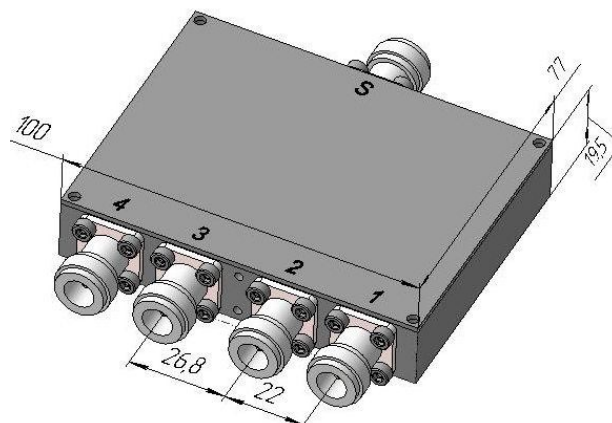


Specifications

- **Working Frequency Range 950-2150 MHz**
- **Working input power 10 W**
- **VSWR in/out max. 1,25/1,25**
- **Insertion Loss from 0,3 dB**
- **Isolation between outputs 20 dB**



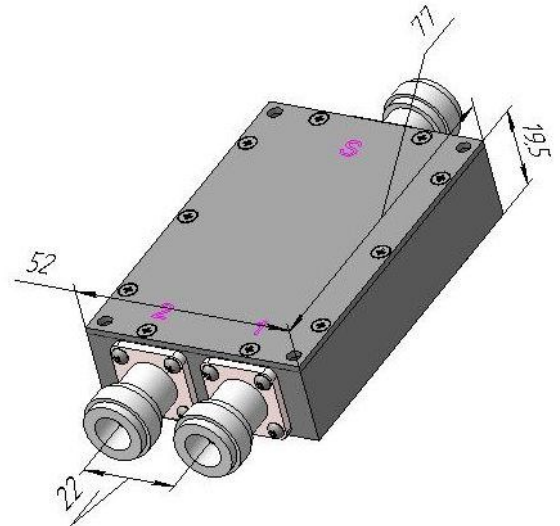
Power dividers ELZ 095-215 are intended for cophased dividing and combining of signals with power up to 10 W at S input.

Main specifications

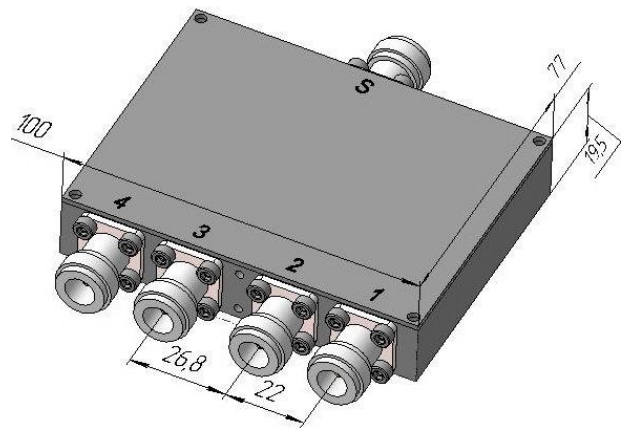
Parameter, unit	Value		
	min.	typical	max.
Working frequency range, MHz	950	-	2150
Maximum allowable input power at S input, W. with VSWR of terminations at outputs 1,25	-	-	10
Losses, dB			
ELZ 095-215 1/2 (over 3 dB)		0,3	0,4
ELZ 095-215 1/4 (over 6 dB)		0,6	0,8
ELZ 095-215 1/8 (over 9 dB)		1,0	1,2
Isolation between outputs, dB	19	20	-
VSWR in/out	-	1,25	1,3

Outline drawings

ELZ 095-215 1/2



ELZ 095-215 1/4



ELZ 095-215 1/8

