

Specifications

- **Working Frequency Range 1,2 – 1,42GHz**
- **Insertion Loss max. 0,6 dB**
- **Leakage power 14 dBm**
- **VSWR in/out 1,25/1,25**
- **Peak input pulse power 58,8 dBm at pulse width 250 μs and duty cycle 10**



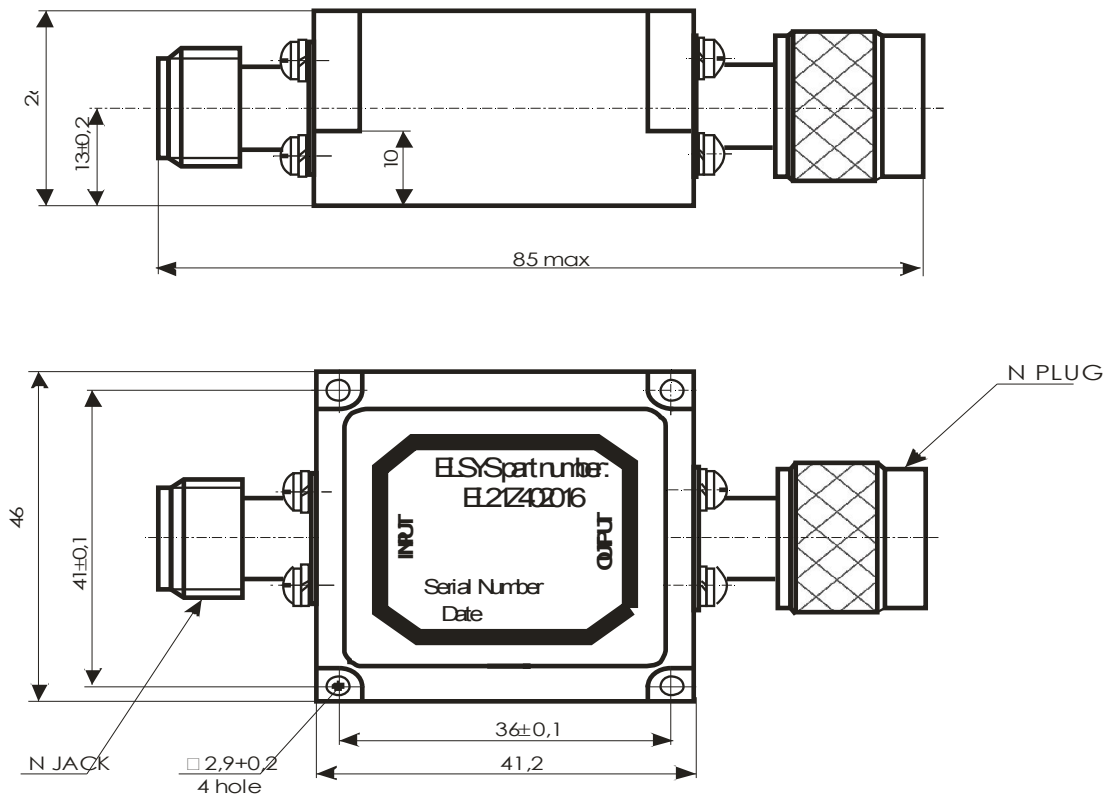
The microwave power limiter EL21Z402016 is intended to limit the receiver input power to a level which is safe for the input stages.

The power limiter is designed as a complete functional unit in a sealed enclosure. N Plug and N Jack connectors are used as input and output connectors accordingly.

Main technical characteristics

Parameter, unit	Value		
	min.	nominal	max.
Working frequency range, GHz	1,2	-	1,4
Peak input pulse power at pulse width 250 μs and duty cycle 10	-	-	58,8
Insertion loss, dB	-	0,6	0,8
Leakage power, dBm	-	14	15
VSWR in/out, units	-	1,25	1,3
MTBF, h	10000	-	-
Operating Temperature Range, °C	-10	-	+55

Outline drawing



For the connection to the device please use N Plug connector to the N Jack output.