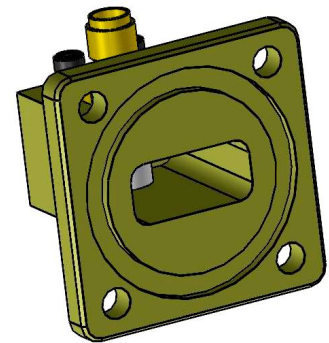


**WG 17 x 8 to SMA Female adapter, Square Cover Flange, 11.8 to 16.5 GHz Frequency Range**

**Configuration**

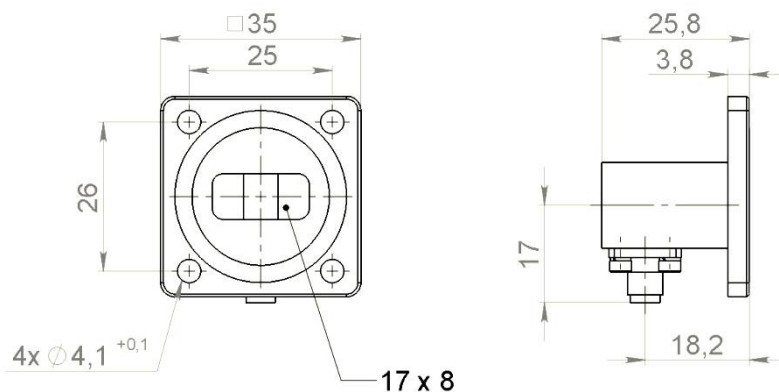
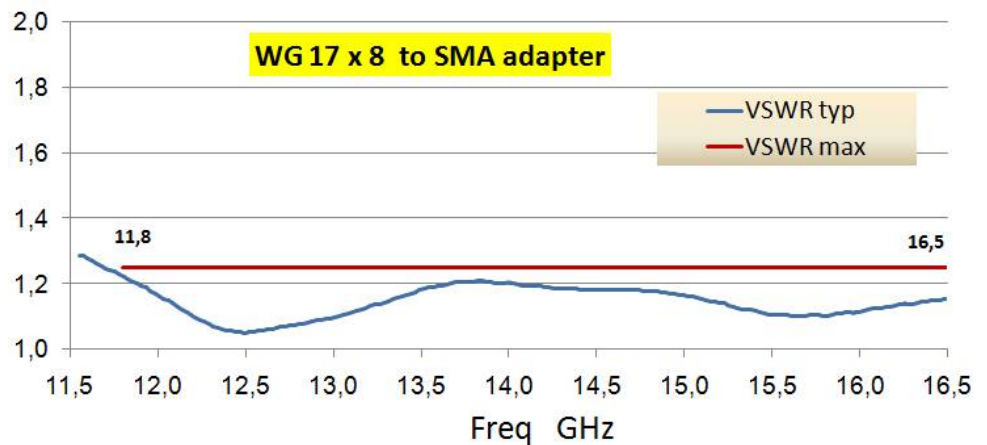
Waveguide Size	WG 17 x 8
Flange	Square Cover
RF Connector	SMA Female
Body Geometry	Right Angle



Electrical Specifications	Description	Min	Typ	Max	Units
	Frequency Range	11.8		16.5	GHz
	VSWR			1.25:1	
	Insertion loss		0.3		dB

Mechanical Specifications	Description
	RF Connector Type
	Waveguide Interface Type
	Flange Type
	Body Material and Plating

**Typical Performance Data**



Elsys Ltd  
 6a Kharkivske Shose  
 36008 Poltava, UKRAINE  
 Tel: +38 0532 616031  
 Fax: +38 0532 616032  
 elsys.com.ua  
 fordep@elsys.com.ua